

# flussonic

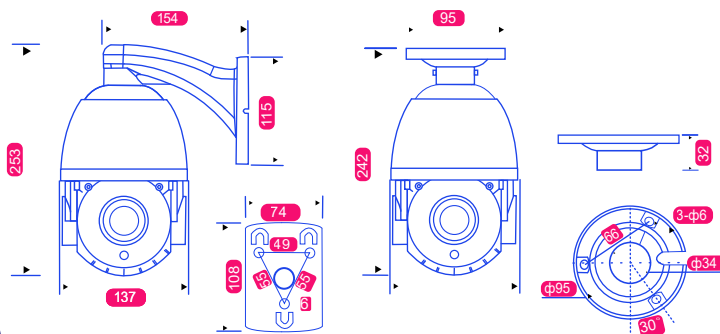
## FLUSSONIC HIVE X825 8MP



### FEATURES:

- 1/2.8" Sony **IMX415 StarVis**
- **Rotation function up to 360°** horizontally and 90° vertically
- **Optical Zoom** x25
- **4K 8MP resolution** 3840 x 2160 output
- Low-light color shooting **up to 0.001Lux** Day/Night, **IR/StarVis**, DWDR, BLC, 2D/3D-DNR
- RTSP and **Onvif support 17.06**
- **Dual-streaming** with support for H.265/H264 codecs
- Installed **Flussonic Agent**
- **Web interface**, support for Android and iOS mobile applications
- **RJ45 100mb/s port** with IEEE802.3af POE support
- Lightning protection **up to 4000V**
- Dust and moisture protection **IP66**
- **8 pcs array IR LED** up to 100 meters

### ПАРАМЕТРЫ (ММ):



### SPECIFICATIONS

Camera	
Sensor	1/2,8" Sony IMX415 StarVis
Resolution	8MP, 4K, 3840x2160
Electronic shutter	Auto, 1/25s - 1/100000s
Minimum illumination	0.001Lux@F1.2(Color Night), 0LUX for IR
Day/Night mode	Auto/Color Night/(IR-CH/BL)/Schedule
Backlight Compensation (WDR)	Digital WDR (120 db)
BLC	Support
DNR	2D/3D DNR
More	Motion detection, area masking, frame mirroring, frame rotation

Codecs	
Chipset	SSC338Q
Video codecs	H.264/H.265
Frame resolution	Main stream: 20fps@8MP(3840x2160), 30fps@6MP(3072x2048)/ 5MP/4MP/ 3MP/ 1080P/ 720P, etc. Second stream: 720x480/ VGA(640x480)/360P/QVGA@30fps,etc.
Bitrate	512Kb/s - 12Mb/s, VBR/CBR
Screen text	Headlines, Time/Date

Backlighting	
IR illumination	8 pcs array IR LED
Distance	80-100 meters

Lenses	
Focal	Motorized lens 4.8-120mm

Network services	
Protocols	HTTP/RTSP/FTP/NFS/SMTP/DHCP/NTP, и т.д.
Web	Web Interface/Flussonic Watcher
Mobile applications	Flussonic Watcher for Android/IOS
ONVIF	17.06

PTZ	
Motorized lens	1-RJ45, 100 Mbps
Zoom	IEEE802.3af POE, 12 VDC +-10%
PTZ range	<8W
Manual speed control	Pan: 0.5°~40°/s; Tilt: 0.5° ~ 40°/s
Presets	128 points
A-B Scan	Support
Auto Cruising	Support up to 8 groups
Actions	Preset/Scan/Cruise

The hardware base	
Network port	1-RJ45, 100 Mbps
Nutrition	IEEE802.3af POE, 12 VDC +-10%
Power Consumption	<8W
Operating temperature	-40C - (+60)C, 10%-90%RH
Size	137(mm)×234(mm)

**FLUSSONIC.COM, SUPPORT@FLUSSONIC.COM**  
**+1(778)716-20-80**

©2023 Flussonic. All right reserved. Disclaimer: The information provided in this document represents the current design and specifications which are subject to change without notice. Under no circumstances, this document shall be reproduced, changed partially or wholly or distributed without the specific prior written authorization of Flussonic.