



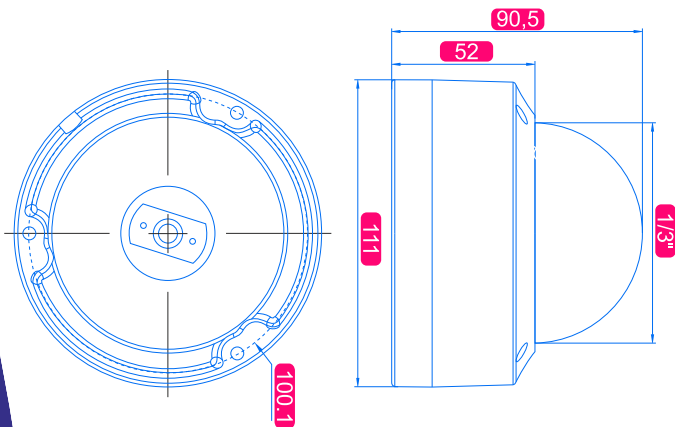
## FLUSSONIC GLASS 5VF 6MP



### FEATURES:

- 1/2.8" **Sony IMX 335 StarVis**
- Resolution up to 6MP (3072x2048)
- Variofocal lens 2,8-12mm
- Horizontal view angle **up to 130**
- **Low-light color shooting** up to 0.001Lux
- Day/Night, **IR/StarVis**, DWDR, BLC, 2D/3D-DNR
- RTSP and **Onvif support 17.06**
- **Dual-streaming** with support for H.265/H264 codecs
- Installed **Flussonic Agent**
- **Web interface**, support for Android and iOS mobile applications
- RJ45 100mb/s port with IEEE802.3af **POE support**
- Lightning protection **up to 4000V**
- Dust and moisture protection **IP66**
- IR illumination **up to 30** meters range

### DIMENSIONS (mm):



## SPECIFICATIONS

### Camera

Sensor	1/2,8" Sony IMX335 StarVis
Resolution	6MP (3072x2048) 5MP (2592x1944)
Electronic shutter	Auto, 1/25s - 1/100000s
Minimum illumination	0.001Lux@F1.2(Color Night), 0LUX for IR
Day/Night mode	Auto/Color Night/IR-CH/Schedule
Backlight Compensation (WDR)	Digital WDR (120 db)
BLC	Support
DNR	2D/3D DNR
More	Motion detection, area masking, frame mirroring, frame rotation, line crossing

### Codecs

Chipset	SSC30KQ
Video codecs	H.264/H.265
Frame resolution	Main stream: 25fps@6MP(3072x2048)/5MP(2592x1944), 30fps@4MP/3MP/1080P/720P Additional stream: 30fps@D1/VGA/360P/CIF, etc.

Bitrate	64Kbps - 8Mbps, VBR/CBR
Screen text	Headlines, Time/Date

### Backlighting

IR illumination	18 LEDs for IR illumination
Distance	30 meters

### Lenses

Focal length	Variofocal lens 2,8-12mm
--------------	--------------------------

### Network services

Protocols	HTTP/RTSP/FTP/NFS/SMTP/DHCP/NTP, etc.
Web	Web Interface/Flussonic Watcher
Mobile applications	Flussonic Watcher for Android/IOS
ONVIF	17.06

### The hardware base

Network port	1-RJ45, 100 Mbps
Nutrition	IEEE802.3af POE, 12 VDC +-10%
Power Consumption	<8W
Operating temperature	-40C - (+60)C, 10%-90%RH

**FLUSSONIC.COM, SUPPORT@FLUSSONIC.COM**  
**+1(778)716-20-80**

©2023 Flussonic. All right reserved. Disclaimer: The information provided in this document represents the current design and specifications which are subject to change without notice. Under no circumstances, this document shall be reproduced, changed partially or wholly or distributed without the specific prior written authorization of Flussonic.