

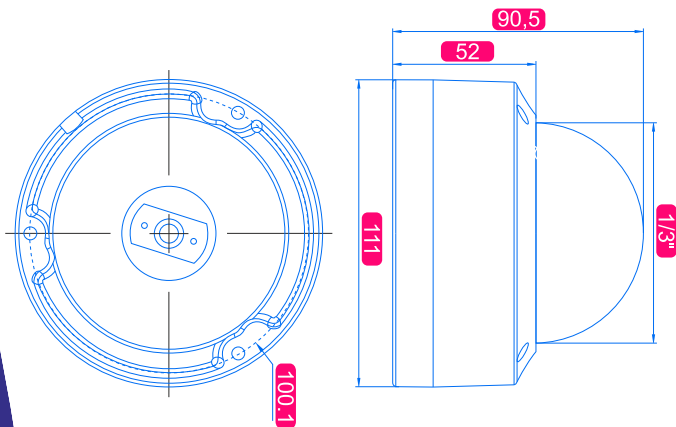
## FLUSSONIC GLASS 4K 8MP



### FEATURES:

- 1/2.8" **Sony IMX 415 StarVis**
- Resolution up to 8MP (3840x2160)
- Variofocal lens 2,8-12mm
- **up to 130**
- **Low-light color shooting** up to 0.001Lux
- Day/Night, **IR/StarVis**, DWDR, BLC, 2D/3D-DNR
- RTSP and **Onvif support 17.06**
- **Dual-streaming** with support for H.265/H264 codecs
- Installed **Flussonic Agent**
- **Web interface**, support for Android and iOS mobile applications
- RJ45 100mb/s port with IEEE802.3af **POE support**
- Lightning protection **up to 4000V**
- Dust and moisture protection **IP66**
- IR illumination **up to 30** meters range

### DIMENSIONS (mm):



## SPECIFICATIONS

### Camera

Sensor	1/2,8" Sony IMX415 StarVis
Resolution	8MP, 4K Ultra HD, 3840x2160
Electronic shutter	Auto, 1/25s - 1/100000s
Minimum illumination	0.001Lux@F1.2(Color Night), 0LUX for IR
Day/Night mode	Auto/Color Night/IR-CH/Schedule
Backlight Compensation (WDR)	Digital WDR (120 db)
BLC	Support
DNR	2D/3D DNR
More	Motion detection, area masking, frame mirroring, frame rotation, line crossing

### Codecs

Chipset	SSC338Q
Video codecs	H.264/H.265
Frame resolution	Main stream: 20fps@8MP(3840x2160), 30fps@6MP(3072x2048)/5MP/4MP/ 3MP/ 1080P/ 720P, etc. Additional stream: 720x480/VGA(640x480)/360P/QVGA@30fps,etc.
Bitrate	512Kbps - 12Mbps, VBR/CBR
Screen text	Headlines, Time/Date

### Backlighting

IR illumination	18 LEDs for IR illumination
Distance	30 meters

### Lenses

Focal length	Virofocal 2,8-12mm
--------------	--------------------

### Network services

Protocols	HTTP/RTSP/FTP/NFS/SMTP/DHCP/NTP, etc.
Web	Web Interface/Flussonic Watcher
Mobile applications	Flussonic Watcher for Android/IOS
ONVIF	17.06

### The hardware base

Network port	1-RJ45, 100 Mbps
Nutrition	IEEE802.3af POE, 12 VDC +-10%
Power Consumption	<5W
Operating temperature	-40C - (+60)C, 10%-90%RH

**FLUSSONIC.COM, SUPPORT@FLUSSONIC.COM**  
**+1(778)716-20-80**