

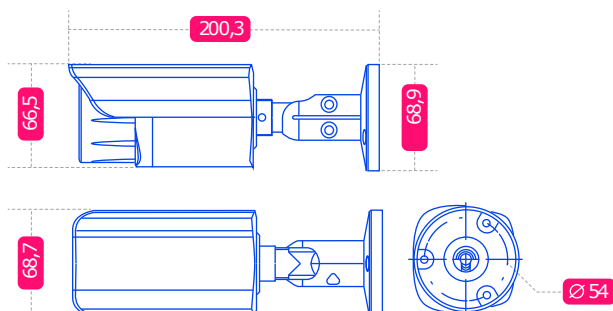
FLUSSONIC BULLET 5 6MP



FEATURES:

- 1/2.8" **Sony IMX 335 StarVis**
- 6MP HD resolution (3072x2048)
- Motorized 3,6 mm lens
- Low-light color shooting up to 0.001Lux
- **Day/Night, IR/StarVis**, DWDR, BLC, 2D/3D-DNR
- RTSP and **Onvif support 17.06**
- **Dual-streaming** with support for H.265/H264 codecs
- Installed **Flussonic Agent**
- **Web interface**, support for Android and iOS mobile applications
- RJ45 100mb/s port with **IEEE802.3af POE support**
- Lightning protection **up to 4000V**
- Dust and moisture protection **IP66**
- **IR LEDs** with a range of 30 meters

DIMENSIONS (mm):



SPECIFICATIONS

Camera

Sensor	1/2,8" Sony IMX335 StarVis
Resolution	3072x2048/2592x1944
Electronic shutter	Auto, 1/25s - 1/100000s
Minimum illumination	0.001Lux@F1.2(Color Night), 0LUX for IR
Day/Night mode	Auto/Color Night/IR-CH/Schedule
Backlight Compensation (WDR)	Digital WDR (120 db)
BLC	Support
DNR	2D/3D DNR
More	Motion detection, area masking, frame mirroring, frame rotation, line crossing

Codecs

Chipset	SSC30KQ
Video codecs	H.264/H.265
Frame resolution	Main stream: 25fps@6MP(3072x2048)/6MP(3072x2048), 30fps@4MP/3MP/1080P/720P Additional stream: 30fps@D1/VGA/360P/CIF, etc.
Bitrate	64Kbps - 8Mbps, VBR/CBR
Screen text	Headlines, Time/Date

Backlighting

IR illumination	LEDs for IR illumination
Distance	30 meters

Lenses

Focal length	3,6 fixed lens
--------------	----------------

Network services

Protocols	HTTP/RTSP/FTP/NFS/SMTP/DHCP/NTP, etc.
Web	Web Interface/Flussonic Watcher
Mobile applications	Flussonic Watcher for Android/IOS
ONVIF	17.06

The hardware base

Network port	1-RJ45, 100 Mbps
Nutrition	IEEE802.3af POE, 12 VDC +-10%
Power Consumption	<8W
Operating temperature	-40C - (+60)C, 10%-90%RH

FLUSSONIC.COM, SUPPORT@FLUSSONIC.COM
+1(778)716-20-80