

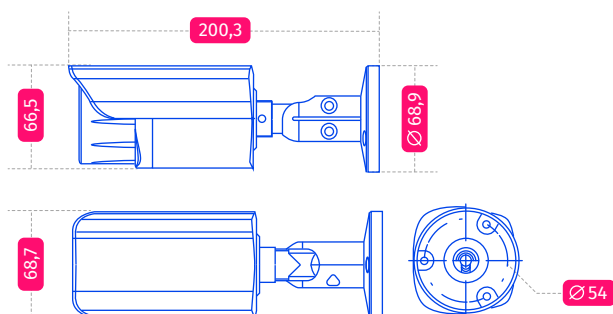
FLUSSONIC BULLET V2 2MP



FEATURES:

- **1/2.8"** Sony IMX307 StarVis
- Full HD resolution **1920 x 1080P**
- **Ultra low illumination** 0.001Lux
- **Day/Night** (ICR), AWB, AGC, BLC, 2D/3D-DNR, IR-CUT
- D-WDR, Motion Detection, Privacy Mask, Mirror
- **RTSP** and **Onvif** 17.06 compatible
- **H.265/H.264** dual-stream media server
- **Flussonic Agent** included
- Multi web browser, PC Client, mobile APP remote access
- **RJ45 100mbps** network port, IEEE802.3af PoE
- Lightning protection **4000V**
- Strong water-proof housing, **IP66**
- 12PCS Array IR Led , **IR distance: 20M**
- **HD 3.6mm** Fix lens

DIMENSIONS (MM)



SPECIFICATIONS

Camera

Image Sensor	1/2.8" Sony IMX307 StarVis StarVis - color night function
Effective Pixels	1920 (H) x 1080 (V)
Electronic Shutter	AUTO, 1/25s ~ 1/100000s
Min. Illumination	0.001Lux@F1.2(AGC ON), 0Lux IR on
Day/Night	Auto/Color/(B/W)/Timing
WDR	Digital WDR/HDR(>120dB)
White Balance	Auto/Indoor/Outdoor
BLC	Support
DNR	2D/3D DNR
Other	Motion Detection, Privacy Mask, Mirror, flip

Encode

Embedded Solution	SSC337
Video Standard	H.264/H.265
Video Resolution	Main stream: 1080P@30fps , 720P@30fps Sub stream: D1/VGA/360P@30fps
Video Bitrates	32Kbps - 5Mbps, VBR/CBR
OSD Overlay	Title and Time overlay

Leds

Leds	12PCS Array IR Led
Light Distance	20 M

Lens

Focal length	HD 3.6mm Fix lens
--------------	-------------------

Network Services

Protocol	HTTP/RTSP/FTP/NFS/SMT/ DHCP/NTP, etc.
Web	IE , Firefox, etc.
Media	CMS, Android, IOS
ONVIF	17.06 compatible

General

Network Port	1-RJ45, 100Mbps,
Power Supply	IEEE802.3af PoE, 12 VDC ± 10%
Power Consumption	< 8 W
Operating Temp.	-40°C-(+60)°C, 10%-90%RH

flussonic.com, support@flussonic.com
 +1 (778) 716-2080